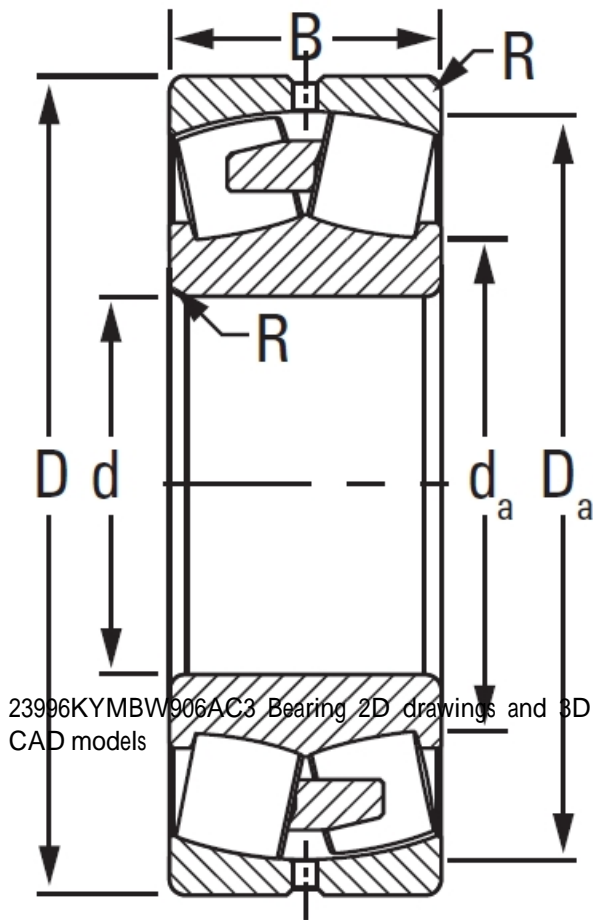




Bearing Machinery Technology Co., Ltd

23996KYMBW906AC3 TIMKEN Cylindrical Roller Bearings Single Row ISO

Bearing No. 23996KYMBW906AC3



Design Unit	METRIC
Bore Taper	1/12
Bearing Weight	123.300 Kg
Cage Type	YMB
Cage Material	Brass
d	480.000 mm
D	650.000 mm
B - Inner Ring Width	128 mm
B - Outer Ring Width	128.000 mm
R - Inner Ring To Clear Radius ¹	4.000 mm
r - Outer Ring To Clear Radius ²	4.000 mm
da - Inner Ring Backing Diameter	523.000 mm
Da - Outer Ring Backing Diameter	612.000 mm
C0 - Static Radial Rating	5890000 N
C1(2) - Dynamic Radial Rating (Two-Rows)	2820000 N
e - ISO Factor ³	0.17
Y0 - ISO Factor ⁴	3.99
Y1 - ISO Factor ⁵	5.94
Y2 - ISO Factor ⁶	3.9
Reference Thermal Speed Rating (Grease)	550
Reference Thermal Speed Rating (Oil) ⁷	640



Bearing Machinery Technology Co., Ltd

Cg - Geometry Factor ⁸	0.1005
-----------------------------------	--------