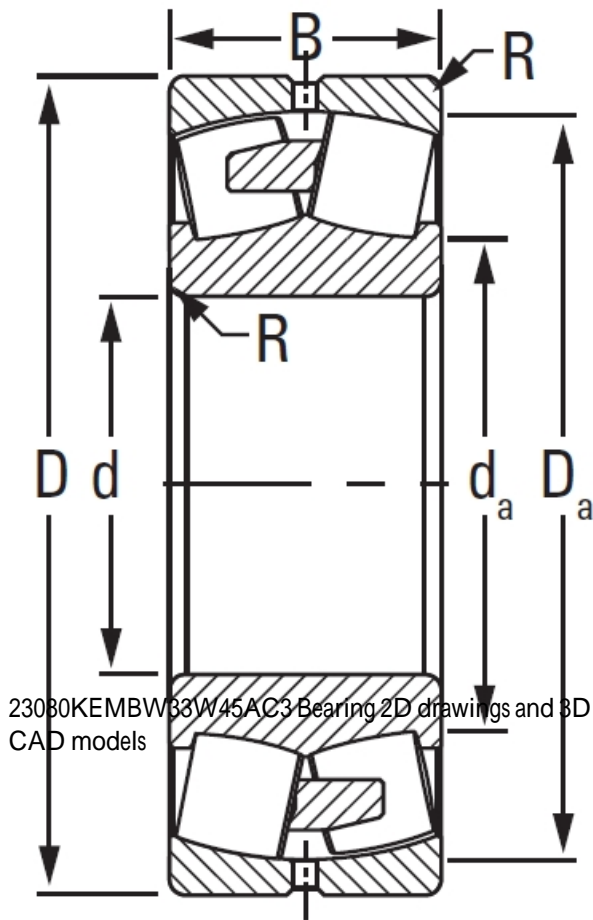




Bearing Machinery Technology Co., Ltd

23080KEMBW33W45AC3 TIMKEN Cylindrical Roller Bearings Single Row ISO

Bearing No. 23080KEMBW33W45AC3



Design Unit	METRIC
Bore Taper	1/12
Bearing Weight	148.7 Kg
Cage Type	EMB
UPC Code	087796360600
Cage Material	Brass
Superseded Part	23080KYMBW33W45AC3
d	400.000 mm
D	600.000 mm
B - Inner Ring Width	148 mm
B - Outer Ring Width	148.000 mm
R - Inner Ring To Clear Radius ¹	4.000 mm
r - Outer Ring To Clear Radius ²	4.000 mm
da - Inner Ring Backing Diameter	444.000 mm
Da - Outer Ring Backing Diameter	555.000 mm
C0 - Static Radial Rating	5980000 N
C1(2) - Dynamic Radial Rating (Two-Rows)	3630000 N
e - ISO Factor ³	0.23
Y0 - ISO Factor ⁴	2.98
Y1 - ISO Factor ⁵	4.44
Y2 - ISO Factor ⁶	2.92
Reference Thermal Speed	660



Bearing Machinery Technology Co., Ltd

Rating (Grease)	
Reference Thermal Speed Rating (Oil) ⁷	760
Cg - Geometry Factor ⁸	0.1473