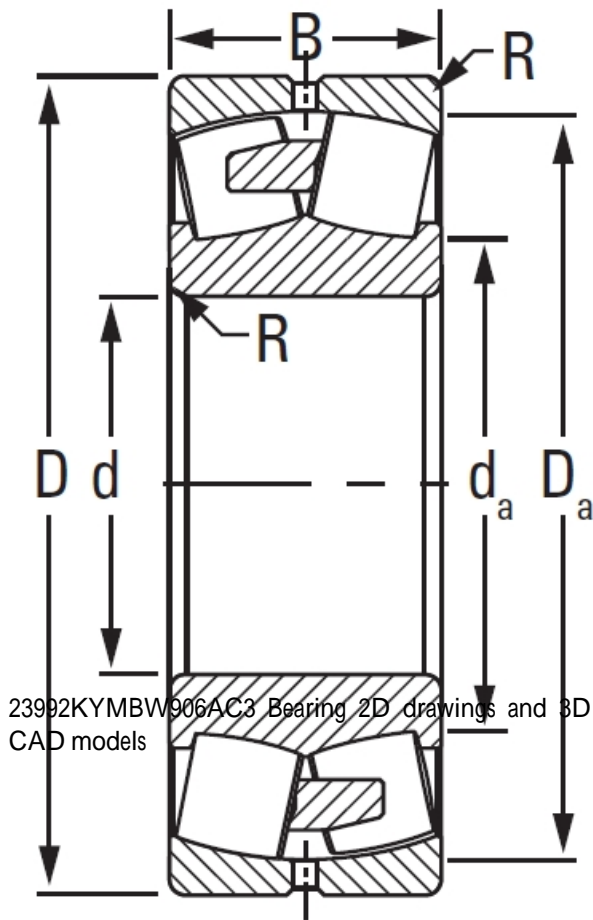




Bearing Machinery Technology Co., Ltd

23992KYMBW906AC3 TIMKEN Cylindrical Roller Bearings Single Row ISO

Bearing No. 23992KYMBW906AC3



23992KYMBW906AC3 Bearing 2D drawings and 3D CAD models

Design Unit	METRIC
Bore Taper	1/12
Bearing Weight	100.900 Kg
Cage Type	YMB
Cage Material	Brass
d	460.000 mm
D	620.000 mm
B - Inner Ring Width	118 mm
B - Outer Ring Width	118.000 mm
R - Inner Ring To Clear Radius ¹	3.0 mm
r - Outer Ring To Clear Radius ²	3.0 mm
da - Inner Ring Backing Diameter	499.000 mm
Da - Outer Ring Backing Diameter	586.000 mm
C0 - Static Radial Rating	5100000 N
C1(2) - Dynamic Radial Rating (Two-Rows)	2520000 N
e - ISO Factor ³	0.16
Y0 - ISO Factor ⁴	4.14
Y1 - ISO Factor ⁵	6.17
Y2 - ISO Factor ⁶	4.05
Reference Thermal Speed Rating (Grease)	580
Reference Thermal Speed Rating (Oil) ⁷	680



Bearing Machinery Technology Co., Ltd

Cg - Geometry Factor ⁸	0.0975
-----------------------------------	--------