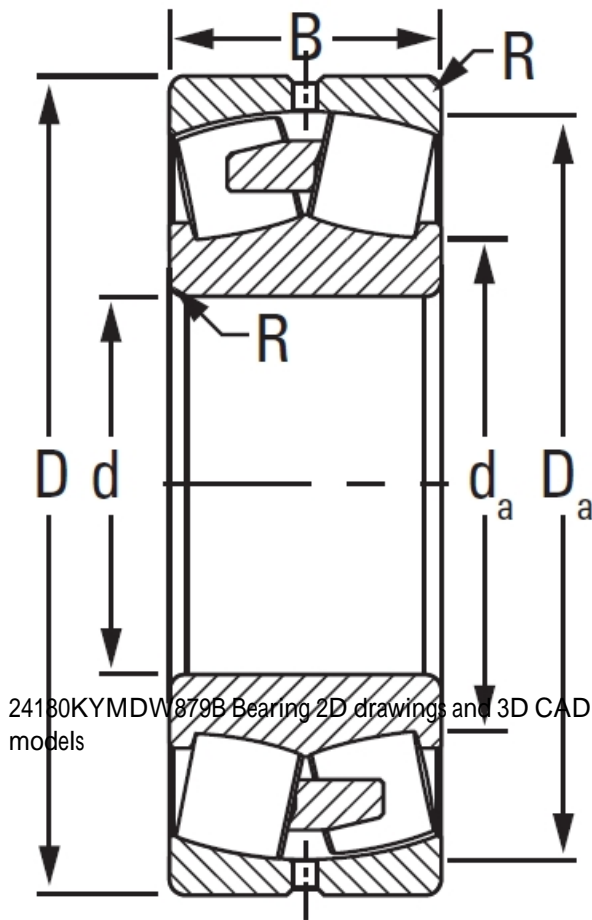




# Bearing Machinery Technology Co., Ltd

## 24180KYMDW879B TIMKEN Tapered Roller Bearings TDI Tapered Double Inner Imperial

Bearing No. 24180KYMDW879B



24180KYMDW879B Bearing 2D drawings and 3D CAD models

Design Unit	METRIC
Bore Taper	1/30
Bearing Weight	322.30 Kg
Cage Type	YMD
UPC Code	087796142039
Cage Material	Brass
d	400.000 mm
D	650.000 mm
B - Inner Ring Width	250 mm
B - Outer Ring Width	250.000 mm
R - Inner Ring To Clear Radius <sup>1</sup>	5.000 mm
r - Outer Ring To Clear Radius <sup>2</sup>	5.000 mm
da - Inner Ring Backing Diameter	449.000 mm
Da - Outer Ring Backing Diameter	594.000 mm
C0 - Static Radial Rating	10400000 N
C1(2) - Dynamic Radial Rating (Two-Rows)	5810000 N
e - ISO Factor <sup>3</sup>	0.35
Y0 - ISO Factor <sup>4</sup>	1.91
Y1 - ISO Factor <sup>5</sup>	2.84
Y2 - ISO Factor <sup>6</sup>	1.87
Reference Thermal Speed Rating (Grease)	290



## Bearing Machinery Technology Co., Ltd

Reference Thermal Speed Rating (Oil) <sup>7</sup>	310
Cg - Geometry Factor <sup>8</sup>	0.0922