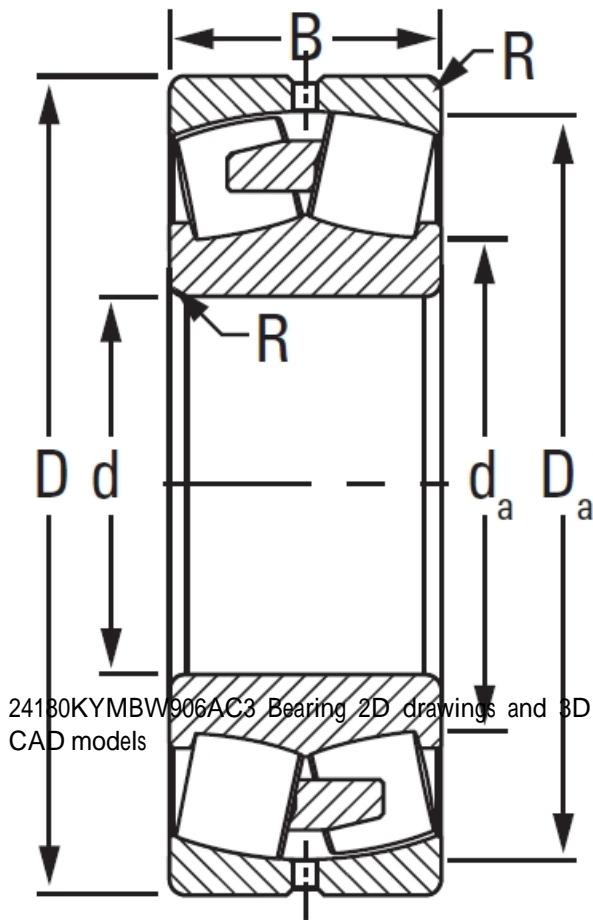




Bearing Machinery Technology Co., Ltd

24180KYMBW906AC3 TIMKEN Tapered Roller Bearings TDI Tapered Double Inner Imperial

Bearing No. 24180KYMBW906AC3



24180KYMBW906AC3 Bearing 2D drawings and 3D CAD models

Design Unit	METRIC
Bore Taper	1/30
Bearing Weight	322.30 Kg
Cage Type	YMB
UPC Code	087796231009
Cage Material	Brass
d	400.000 mm
D	650.000 mm
B - Inner Ring Width	250 mm
B - Outer Ring Width	250.000 mm
R - Inner Ring To Clear Radius ¹	5.000 mm
r - Outer Ring To Clear Radius ²	5.000 mm
da - Inner Ring Backing Diameter	449.000 mm
Da - Outer Ring Backing Diameter	594.000 mm
C0 - Static Radial Rating	10400000 N
C1(2) - Dynamic Radial Rating (Two-Rows)	5810000 N
e - ISO Factor ³	0.35
Y0 - ISO Factor ⁴	1.91
Y1 - ISO Factor ⁵	2.84
Y2 - ISO Factor ⁶	1.87
Reference Thermal Speed	290



Bearing Machinery Technology Co., Ltd

Rating (Grease)	
Reference Thermal Speed Rating (Oil) ⁷	310
Cg - Geometry Factor ⁸	0.0922